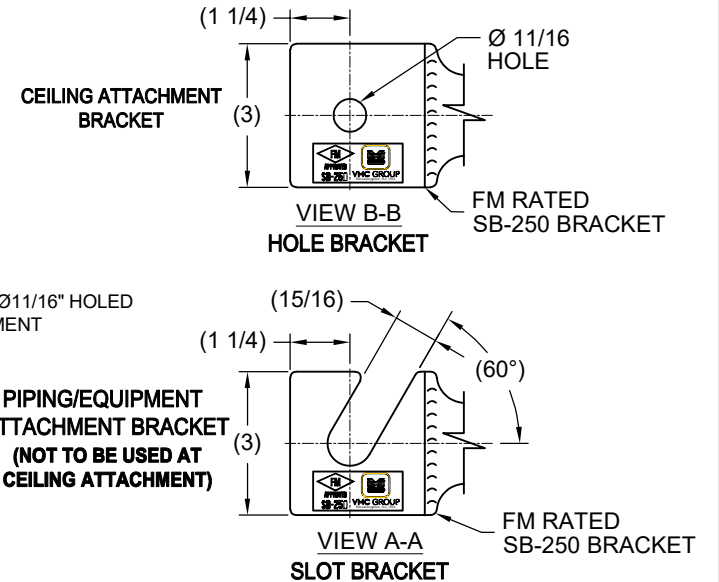
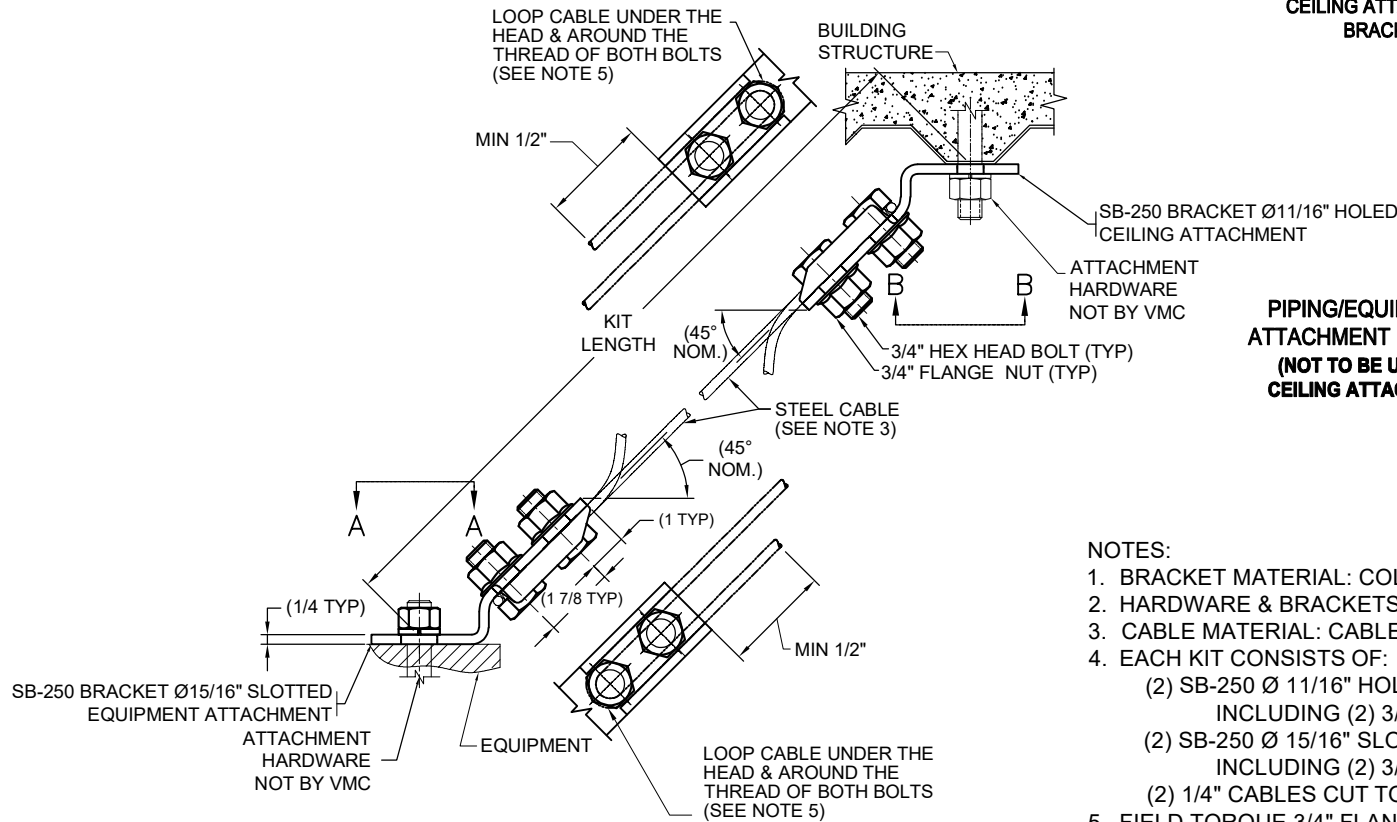


REV.	DESCRIPTION	DATE	BY

KIT PART NUMBER	KIT LENGTH (FT)	CABLE THICKNESS (IN)	MAX. TENSION ALLOWABLE (LBS)	KIT TYPE
SCR-25-07	7	1/4	4400	15/16" SLOT / 11/16" HOLE
SCR-25-14	14			
SCR-25-21	21			

- A. RATING AT 45° FOR STEEL ATTACHMENT (LRFD)
- B. RATING AT 45° FOR CONCRETE ATTACHMENT- 3/4" HILTI TZ @3-3/4" EMBEDMENT, 6" SLAB MIN - 4020#.



- NOTES:
1. BRACKET MATERIAL: COLD ROLLED STEEL
 2. HARDWARE & BRACKETS CLEAR ELECTRO ZINC PLATED
 3. CABLE MATERIAL: CABLE 1/4" 7x19 GALVANIZED BY FOOT
 4. EACH KIT CONSISTS OF:
 - (2) SB-250 Ø 11/16" HOLED BRACKETS, WITH EACH BRACKET ASSEMBLY INCLUDING (2) 3/4" BOLTS & (2) 3/4" FLANGE NUTS
 - (2) SB-250 Ø 15/16" SLOTTED BRACKETS, WITH EACH BRACKET ASSEMBLY INCLUDING (2) 3/4" BOLTS & (2) 3/4" FLANGE NUTS
 - (2) 1/4" CABLES CUT TO LENGTH
 5. FIELD TORQUE 3/4" FLANGE NUTS TO 50 FT-LBS

OTHER MATERIALS, COMPOUNDS, OR FINISHES WITH EQUAL OR SUPERIOR PROPERTIES MAY BE SUBSTITUTED AS THEY BECOME AVAILABLE.

CERTIFIED FOR:

JOB NAME: _____

CUSTOMER: _____

CUSTOMER P.O.: _____

SALES ORDER: _____

MODEL SCR-25
SB-250 BRACKETS WITH
1/4 INCH CABLE
SEISMIC RESTRAINT KIT



SCALE:	NONE	Member VISCMA
SHEET:		
DRAWING NO.:		REVISION